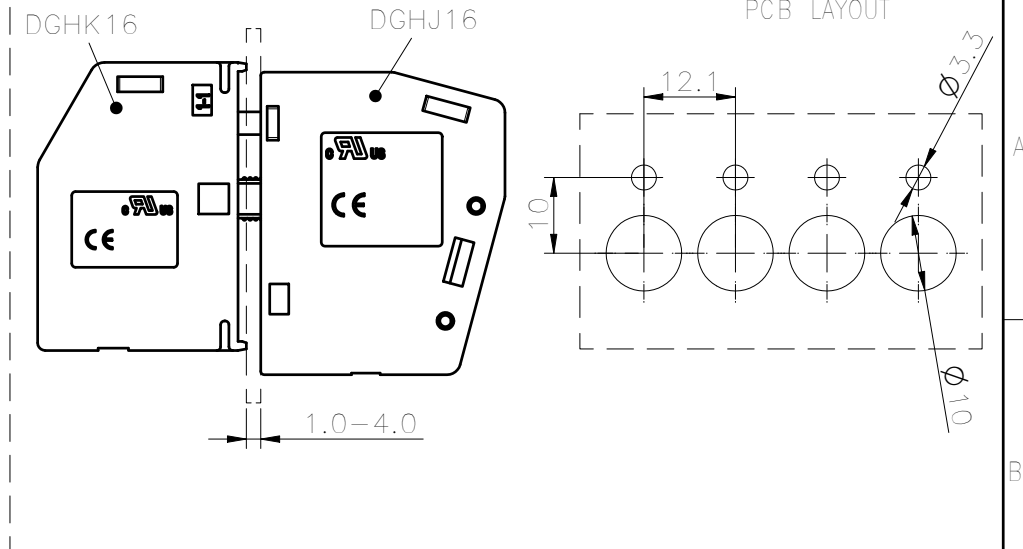
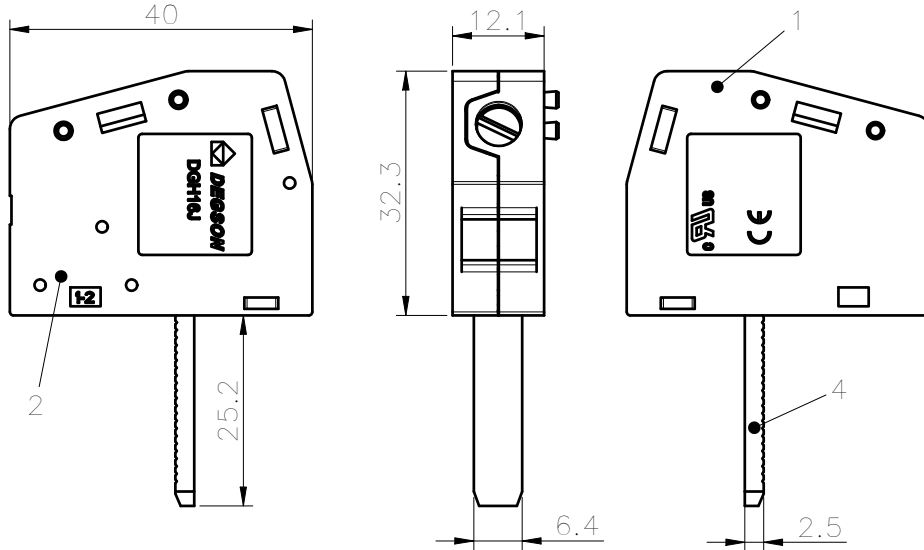
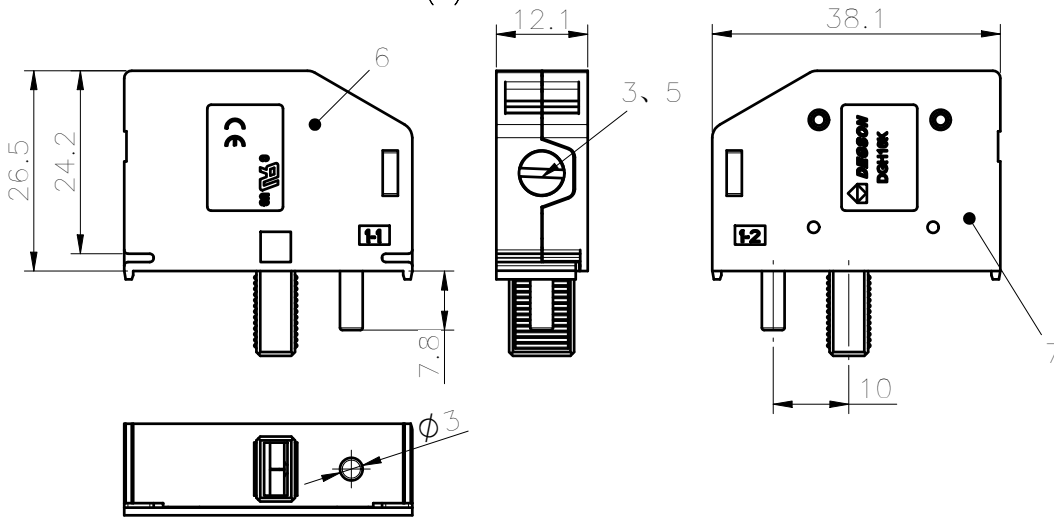


未注公差/General tolerances(mm)													0.1/10
0	>3	>6	>10	>18	>30	>50	>80	>120	>180	>250	>315	>400	
~3	~6	~10	~18	~30	~50	~80	~120	~180	~250	~315	~400	>500	
±0.12	±0.18	±0.22	±0.26	±0.31	±0.37	±0.57	±0.80	±0.93	±1.05	±1.15	±1.60	±2.20	±2.50
													±2'

DGH16J-01P-1Y-00A&Z(H)



DGH16K-01P-1Y-00A&Z(H)



Note: The A&Z(H) in the name means: A(H) and Z(H).

7	HousingK-2	PA66	UL94V-0
6	HousingK-1	PA66	UL94V-0
5	Cage	Copper alloy	Ni Plated
4	Current_carrier	Copper	Sn Plated
3	Screw	Copper alloy	Sn Plated
2	HousingJ-2	PA66	UL94V-0
1	HousingJ-1	PA66	UL94V-0
ITEM	NAME OF PART	MATERIAL	NOTES

UL 标准/UL Standard:	B	C	D
额定电压/电流/Rated Voltage(V)/Current(A)	600/85	/	600/5
IEC 标准/IEC Standard:			
过压类别/Overtoltage Category/污染等级/Pollution Degree	III/3	III/2	II/2
额定电压/电流/Rated Voltage(V)/Current(A)	/	500/76	/
额定脉冲电压(KV)/Rate Impulse Voltage(KV)	/	6	/
螺丝扭矩/Torque Tightening(N·m/Lb.in)	M5, 2.0/17.54		
线径范围(硬线和软线)/Wire Range(rigid and flexible)(AWG/mm ²)	20~4 / 0.5~16		
间距/Pitch(mm)/线数范围/Poles	12.10/N=01P		
剥线长度/Stripping length(mm)	16		
使用温度范围/Operating temperature(°C)	-40~+105		
符合 RoHS 环保要求/Conform to RoHS	Yes		

DEGSON		MATERIAL:	SURFACE:	
		MAT NO./REV:	MAT STATUS: 批量	
APPD: 蓝贵凡	2022.12.05	NAME		
CHKD: 曹利彬	2022.12.05	DGH16-01P-1Y-00A&Z(H)		
DRFT: 姜民洁	2022.12.05	DRAWING NO.	TYPE	DRAWING STATUS
		200012435	CUSTOMER DRAWING	已发布
		SCALE	SHEET	
		2:1	1/1	

00					
REV	ECN	DESCRIPTION	DRFT	DATE	

Transfer or duplication of this document as well as the utilization or communication of its contents are prohibited unless authorized. All rights reserved for patent, utility model or design registrations. 非经书面授权, 复制或传播本文件内容, 或在本文件内容中涉及发明、实用新型和外观设计的所有权利。